



## RAM® Connection

Everything You Need for Steel Connection Design

RAM Connection can be used stand alone or fully integrated with RAM Structural System, RAM Elements, and STAAD.Pro® for steel connection design. Powerful connection check or design in seconds. To check a specific connection, design a single connection for multiple joints or optimize each connection in your structure, RAM Connection gets you there quicker than ever before.

### Integrated Modeling and Documentation Workflows

The CONNECT Edition provides a common environment for comprehensive project delivery and connects users, projects, and your enterprise. With the CONNECT Edition, you now have a personal portal to access learning, communities, and project information. You can also share personal files including i-models and PDFs directly from your desktop with other users, or stage them for easy access from a Bentley mobile app, such as Structural Navigator. With the new project portal, your project teams can review project details and status, and gain visibility into project performance. With the CONNECT Edition, your project team may also wish to take advantage of the new ProjectWise® Connection Services including Project Performance Dashboards, Issues Resolution, and Scenario Services.

*RAM Connection works as a stand-alone program or integrated with RAM Elements, STAAD.Pro, and RAM Structural System.*

### Automated Connection Design

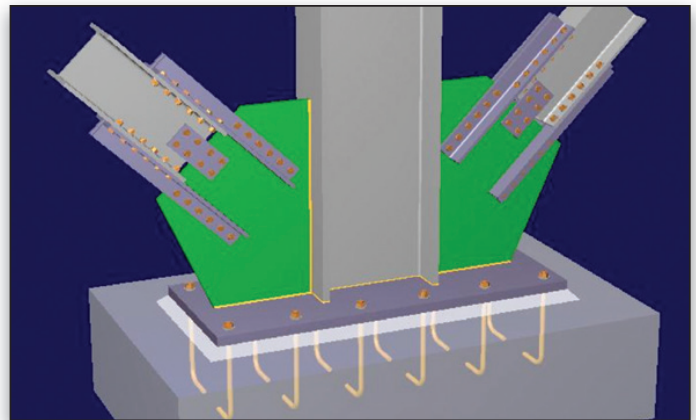
Designing, checking, and optimizing shear, moment, gusset, splice, bracket, and base plate connections, according to AISC (ASD or LRFD), EN 1993, BS 5950, IS 800 and GB 50017, has never been this automated. Designers can assign connections directly to the finite element model and have RAM Connection automatically consider member geometric and material properties – and analytical results – to choose the desired connection. The engineer has unlimited flexibility to check a specific connection or optimize all connections individually or in groups.

### Integrated Connection Design

RAM Connection is the first fully integrated steel connection design and optimization tool in the industry. RAM Connection works as a stand-alone program or can be integrated with RAM Elements, STAAD.Pro, and RAM Structural System.

### Provides Unlimited Flexibility

Your own office standards, rules of thumb, or connection expertise can be brought together into the connection designs because RAM Connection



*Base Plate with Gussets*

allows you to customize a vast part of the design. You can also choose from our large database of predefined connections to meet your design needs. RAM Connection goes even further by providing reports with explicit equations and references to the design standard.

### A Myriad of Connections at Your Fingertips

Whether you are designing a shear connection (shear tab, clip angle, end plate), a moment connection (flange plates, directly welded flanges), a combined connection (extended end plate) or a gusset connection for braces, RAM Connection is all you need. All design checks are done for you immediately so comparing different connection options for a particular problem is easy.

### Cutting-edge Graphics

RAM Connection also raises the bar with its breakthrough graphics. This feature allows accurate 3D views of fit-up and clearance to ensure your structure will work and reduce on-site connection issues.

### Details Produced Automatically

RAM Connection saves you time and increases your accuracy by generating your details directly from your designs through a DXF output file.

### Easily Handles Changes

RAM Connection can easily handle changes that occur during the lifecycle of your project. RAM Connection saves you time even when making sweeping changes to your designs.

### Seismic Design Included

To address ever-changing and time-consuming code requirements, RAM Connection includes AISC seismic provision checks in your designs.

## System Requirements

### Processor

Intel or AMD, 32-bit or 64-bit, PC compatible processor

### Operating System

Windows 7 or higher

### RAM

1 GB minimum, 2 GB recommended

### Hard Disk

150 MB free disk space for installation

2 GB available for analyzing models

### Display

Open GL compatible graphics card with at least 512 MB in video memory

Find out about Bentley  
at: [www.bentley.com](http://www.bentley.com)

### Contact Bentley

1-800-BENTLEY (1-800-236-8539)

Outside the US +1 610-458-5000

### Global Office Listings

[www.bentley.com/contact](http://www.bentley.com/contact)

## RAM Connection At-A-Glance

### Modeling

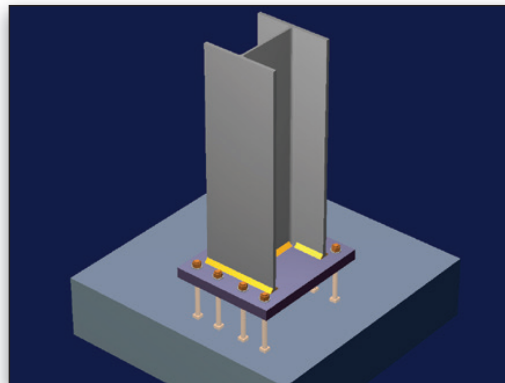
- Use wide flange beams, wide flange, or HSS columns and virtually any steel section(s) for braces
- Beam-to-column connections (flange or web)
- Beam-to-girder connections
- Beam-to-beam connections
- Beam and column splices
- Brackets
- Base plate design including Anchors
- Gusset plates for bracing connections
- Extensive, customizable database of connections provided
- Generate new connections using the program interface or using Microsoft Excel
- Control dozens of design parameters such as:
  - » Plate dimensions
  - » Welds (type, size, electrode series, length, etc.)
  - » Bolts (size, material, N, X, slip critical, hole types, etc.)
  - » Doublers and stiffeners dimensions
  - » Top and bottom beam copes
  - » Sloped and skewed connections

### Design

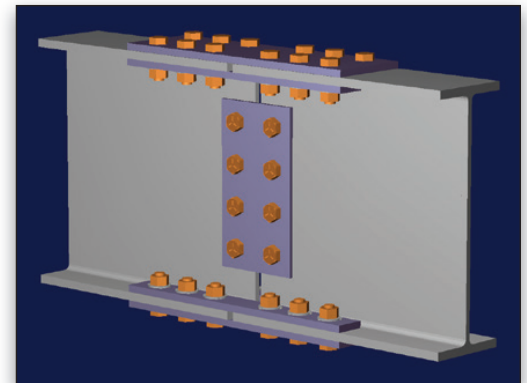
- Design per AISC 360-05 or 10 (ASD or LRFD)
- Design per AISC 341-05 or 10 seismic provisions
- Most AISC 358-05 & 10 prequalified moment connections included
- Anchor bolt design per ACI 318-08 Appendix D Design per EN 1993 (EC3)
- Design per GB 50017-2003
- Design per IS 800:2007
- Design per BS5950-1:2000
- Verify existing connections
- Optimize connections with our advance algorithms or from your own pre-selected list

### Output and Documentation

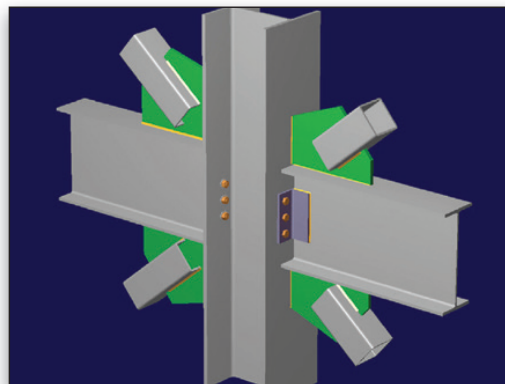
- Design/check one connection at a time or hundreds at once
- Output and documentation
- On-screen verification of connection results
- 3D realistic views
- 3D transparent views to avoid joint conflicts
- DXF drawing generation
- DXF export to CAD



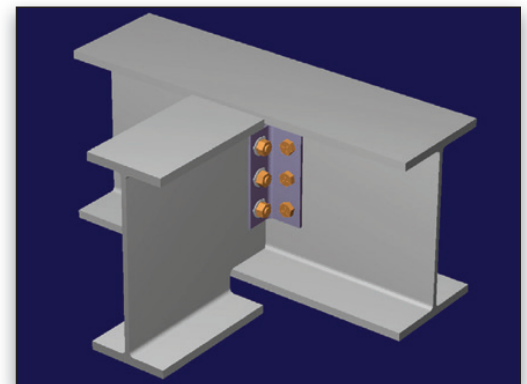
Base Plates



Beam Splices



Bracing Connections



Double-Angle Connection